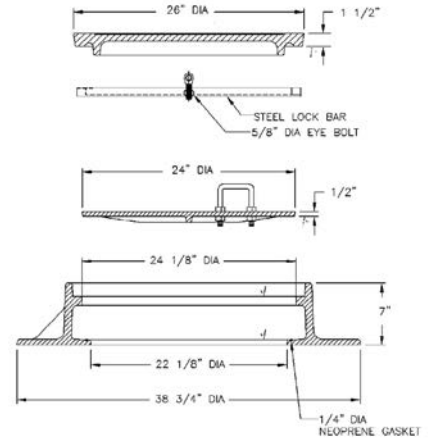
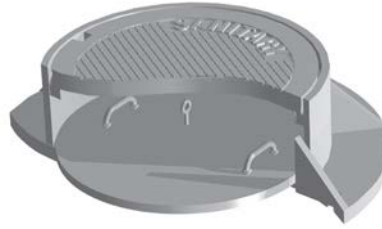


1044 FRAME & COVER

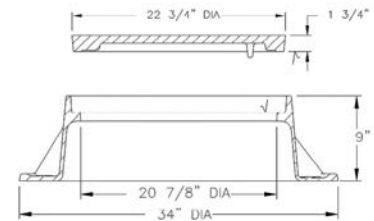
- Heavy duty
- Machined bearing surfaces
- Frost proof
- Lock bar
- Accepts 1040 covers



1050 FRAME & COVER

- Heavy duty
- Machined bearing surfaces
- Accepts 1020 covers and grates
- Light weight stackable frame

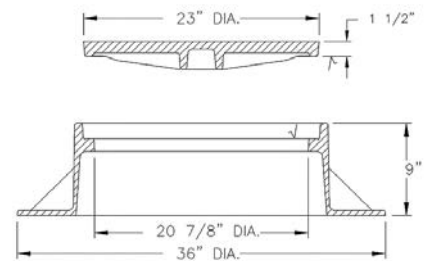
- Options
- Solid, vented or custom logo covers
 - Special lettered covers
 - Watertite assembly
 - Adjusting risers
 - Gasket seal covers



1058 FRAME & COVER

- Heavy duty
- Machined bearing surfaces

- Options
- Solid or vented covers
 - Special lettered covers
 - Watertite assembly
 - Grate
 - Logo cover — V-1370-1



Type M2 Grate
 Medium duty
 Approx. 120 sq. in.
 open area
 "DUMP NO WASTE!"
 lettering and fish
 image



Solid Cover for Bolting

Supplied By:

**TRENCHDRAIN
 SUPPLY**

877-903-7246

www.trenchdrainsupply.com